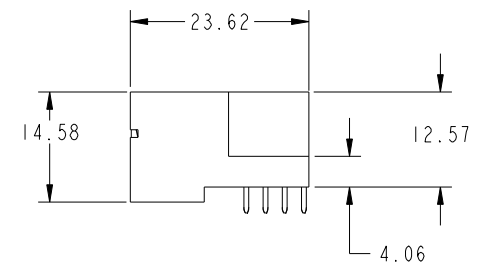
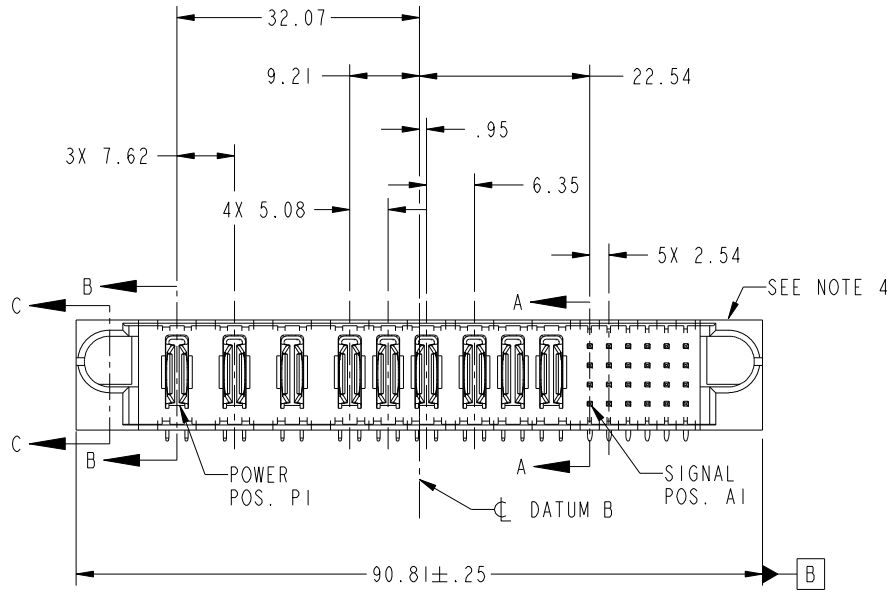
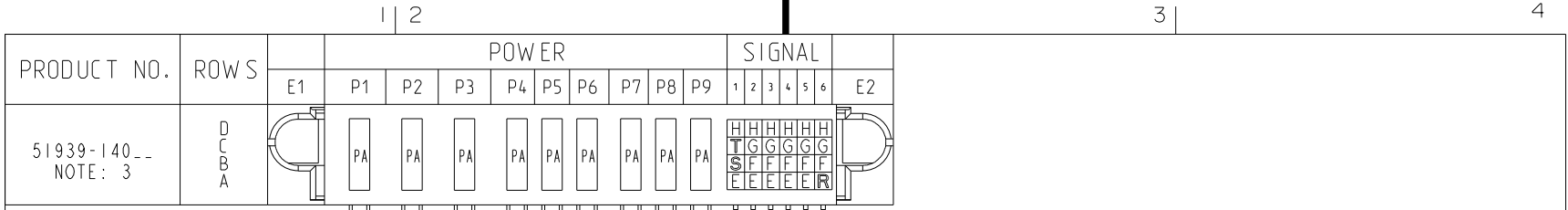


Tous droits strictement réservés. Reproduction ou communication a des tiers interdite sous quelque forme que ce soit sans autorisation écrite du propriétaire. Propriété de c.FCI. Droits de reproduction FCI.

All rights strictly reserved. Reproduction or issue to third parties in any form whatever is not permitted without written authority from the proprietor. Property of FCI. Copyright FCI.



CODE	DIM "M" MATING LENGTH	CONTACT TYPE
PA	[N/A]	POWER
T	[6.86]	SIGNAL
S	[6.86]	SIGNAL
R	[6.86]	SIGNAL
H	[5.59]	SIGNAL
G	[5.59]	SIGNAL
F	[5.59]	SIGNAL
E	[5.59]	SIGNAL

mat'l code				SEE NOTE		tolerances unless otherwise specified		CUSTOMER	
ltr	ecn no.	dr	date	linear	angles	COPY		projection	
A	V04-1024	TAB	10/14/04	0.X ±0.5	0° ±2°	projection		title	
B	V04-1181	TAB	12/14/04	0.XXX ±0.25		MM		9P + 24S	
C	DG05-0164	SJ	06/29/05	0.XXX ±0.10		1:1		RIGHT ANGLE SOLDER HEADER	
D	DG05-0415	GuoJM	10/25/05			scale		product family	
E	DG07-0498	JW	09/15/08			A		PwrBlade	
sheet index		revision sheet		E	E	E	E	code	
1		2		E	E	A		213	
3		4		E	E	A		sheet	
				E	E	A		1 of 4	

www.fciconnect.com		product family		code	
PwrBlade		PwrBlade		213	
size		dwg no		sheet	
A		51939-140		1 of 4	

A

B

1 | 2

3 |

4

Pro/E

PDM: Rev: E

STATUS: Released

Printed: Sep 26, 2008

A

B

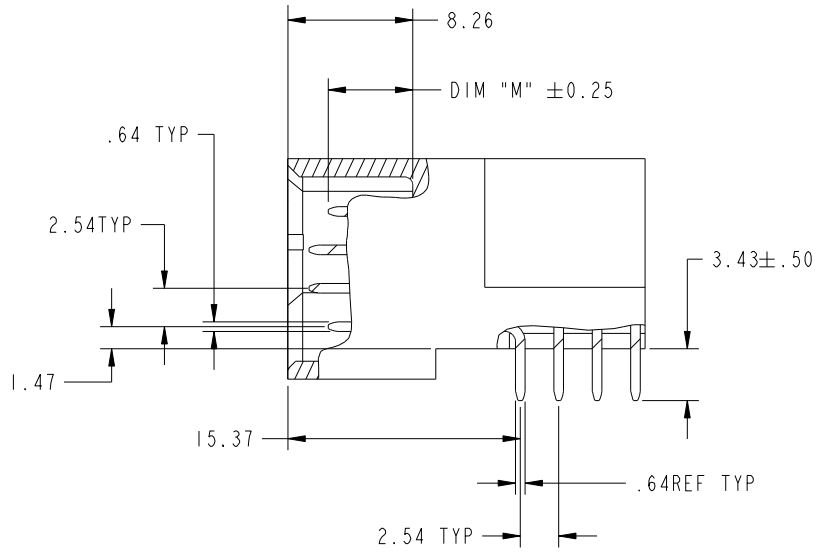
Tous droits strictement reserves. Reproduction ou communication a des tiers interdite sous quelque forme que ce soit sans autorisation ecrite du proprietaire. Propriete de c.FCI. Droits de reproduction FCI.

All rights strictly reserved. Reproduction or issue to third parties in any form whatever is not permitted without written authority from the proprietor. Property of FCI. Copyright FCI.

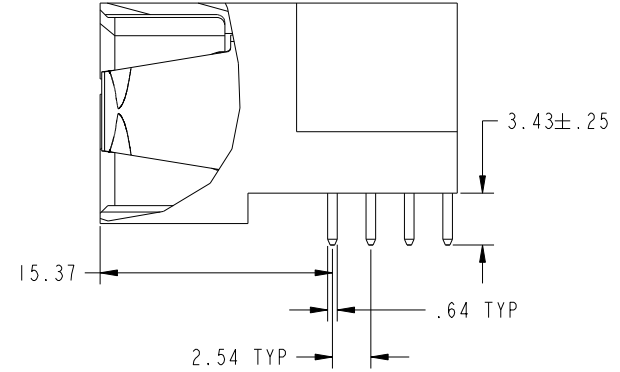


PRODUCT NUMBER

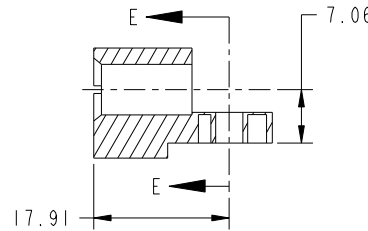
51939-140--
NOTE: 3



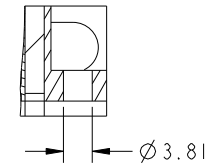
BROKEN-OUT SECTION A-A
SCALE 2:1



BROKEN-OUT SECTION B-B
SCALE 2:1



SECTION C-C



PARTIAL SECTION E-E

mat'l code		SEE NOTE		tolerances unless otherwise specified		CUSTOMER		 www.fciconnect.com	
lir	ecn no.	dr	date	linear	0.X ±0.5	COPY		title	
E				linear	0.XX ±0.25	projection		9P + 24S	
				angles	0.XXX ±0.10			RIGHT ANGLE SOLDER HEADER	
				dr	0° ±2°			product family	
				engr	T. BRUNGARD 10/14/04	MM		PwrBlade	
				chr	M. GRAY 10/14/04	1:1		code	
				appd	M. GRAY 10/14/04			213	
sheet index	revision sheet							size	
								dwg no	
								A 51939-140	
								sheet	
								2	
								cage code	
								22506	

A

B

A

B

1 | 2

3

4

1 | 2

Pro/E

PDM: Rev: E

STATUS: Released

Printed: Sep 26, 2008

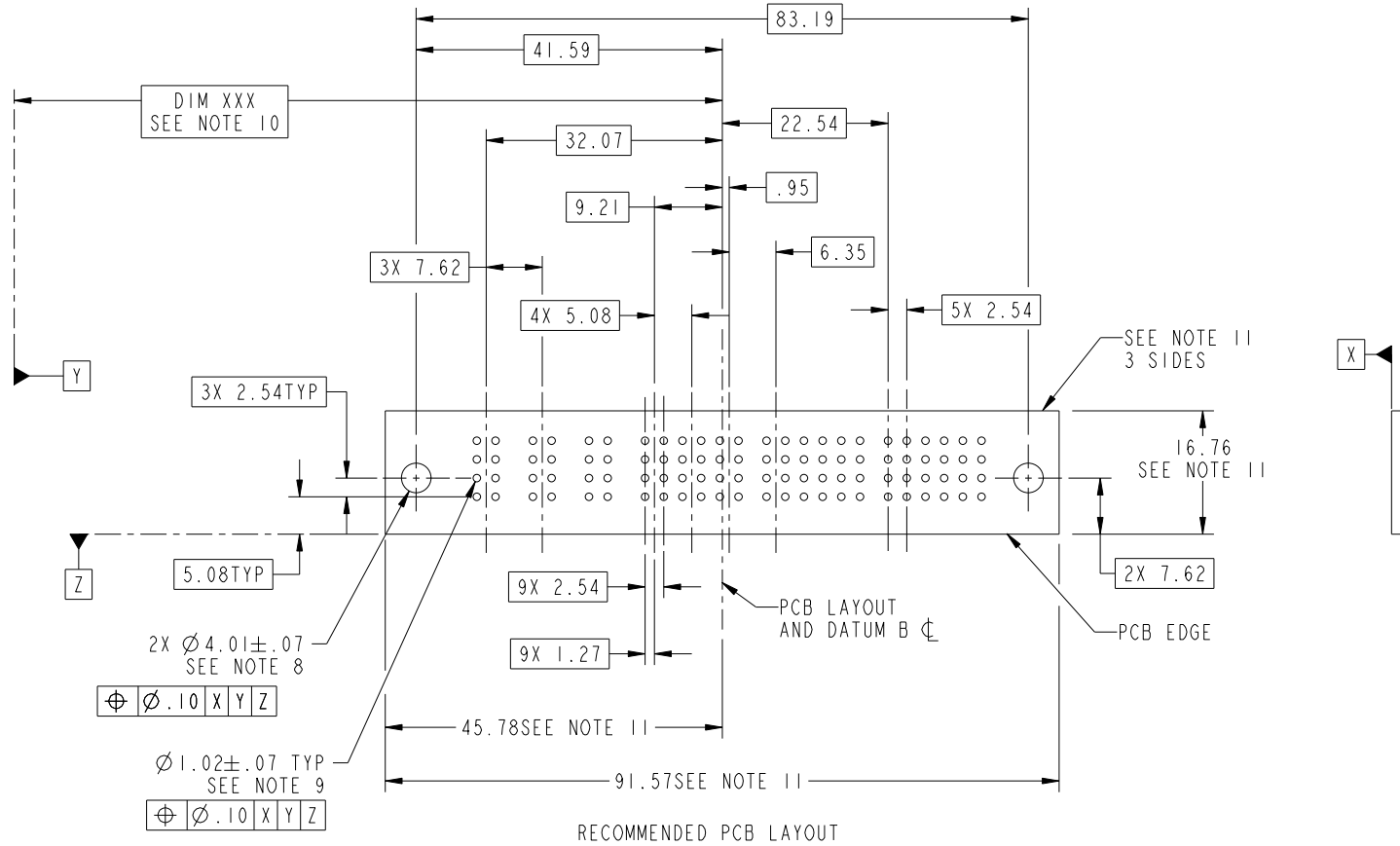
Tous droits strictement reserves. Reproduction ou communication a des tiers interdite sous quelque forme que ce soit sans autorisation ecrite du proprietaire. Propriete de c.FCI. Droits de reproduction FCI.

All rights strictly reserved. Reproduction or issue to third parties in any form whatever is not permitted without written authority from the proprietor. Property of FCI. Copyright FCI.



PRODUCT NUMBER

51939-140--
NOTE: 3



RECOMMENDED PCB LAYOUT

mat'l code		SEE NOTE		tolerances unless otherwise specified		CUSTOMER		www.fciconnect.com	
lfr	ecn no.	dr	date	linear	0.X ± 0.5	COPY		title	
E					0.XX ± 0.25	projection		9P + 24S	
				angles	0.XXX ± 0.10			RIGHT ANGLE SOLDER HEADER	
				dr	0° ± 2°			product family	
				enrg	T. BRUNGARD 10/14/04	MM		PwrBlade	
				chr	M. GRAY 10/14/04			code	
				appd	M. GRAY 10/14/04	scale		213	
sheet index		revision sheet				1:1		A 51939-140	
								sheet 3	

cage code 28506

Tous droits strictement reserves. Reproduction ou communication a des tiers interdite sous quelque forme que ce soit sans autorisation ecrite du proprietaire. Propriete de c.FCI. Droits de reproduction FCI.

All rights strictly reserved. Reproduction or issue to third parties in any form whatever is not permitted without written authority from the proprietor. Property of FCI. Copyright FCI.



1 | 2

3

4

PRODUCT NUMBER

51939-140--
NOTE: 3

NOTES:

1. DIMENSIONS AND TOLERANCES ARE IN ACCORDANCE WITH ASME Y14.5M, 1994 UNLESS OTHERWISE SPECIFIED.

CONNECTOR NOTES:

2. HOUSING MATERIAL: UL 94 V-0 GLASS FILLED HIGH-TEMP THERMOPLASTIC
POWER CONTACT MATERIAL: COPPER ALLOY
SIGNAL PIN MATERIAL: COPPER ALLOY

$\triangle E$ 3. PLATING:
SEE ITEM 1 & 2 IN PRINT 10064183 FOR PLATING SPEC OF 51939-140; 51939-140LF PRESPECTIVELY

4. MANUFACTURER'S NAME, P/N, AND DATE CODE TO APPEAR ON THIS SURFACE.

5. PRODUCT SPECIFICATION GS-12-149.
APPLICATION SPECIFICATION BUS-20-067.

6. PACKAGED IN TRAYS.

PCB NOTES:

7. ALL HOLE DIAMETERS ARE FINISHED HOLE SIZE.

8. MOUNTING HOLES, WHERE APPLICABLE, ARE UNPLATED.

10. $\varnothing 1.151 \pm 0.025$ DRILLED HOLES PLATED WITH 0.008 MIN SnPb OR Sn OVER 0.03 TO 0.08 Cu PLATING TO ACHIEVE $\varnothing 1.02 \pm .07$ HOLE.

11. "DIM XXX" TO BE DETERMINED BY THE CUSTOMER.

12. CONNECTOR KEEP-OUT ZONE.

13. A $\triangle E$ SYMBOL WILL BE NEXT TO ANY DIMENSION, VIEW, OR NOTE WHICH HAS BEEN MODIFIED WITH THE CURRENT DRAWING REVISION.

A

A

B

B

mat'l code				SEE NOTE		tolerances unless otherwise specified		CUSTOMER		 www.fciconnect.com	
lir	ecn no.	dr	date	linear	0.X ±0.5		COPY		title 9P + 24S RIGHT ANGLE SOLDER HEADER		
E					0.XX ±0.25		projection				
					0.XXX ±0.10						
				angles	0° ±2°		 MM		product family PwrBlade		code
				dr	T. BRUNGARD	10/14/04	scale		size	dwg no	213
				enr	M. GRAY	10/14/04	1:1		A	51939-140	sheet
				chr	M. GRAY	10/14/04					4
				appd	M. GRAY	10/14/04					
sheet index	revision sheet										

1 | 2

Pro/E

PDM: Rev: E

STAT: Released

Printed: Sep 26, 2008

cage code 2856

4